

LIEVOX HUMIDITY

XL041



ENGLISH

TECHNICAL DATA

ELECTRICAL POWER	kW 1,05
FREQUENCY	50 - 60 Hz
POWER SUPPLY CABLE TYPE	H07RNF
POWER SUPPLY CABLE EXTERNAL Ø	10 ÷ 16 mm
VOLTAGE / CABLE SECTION	220 - 230 V~ / 3 x 1,5 mm ²
WATER PRESSURE	kPa 50-200



JANUARY 2000

FRANCAIS

DONNEES TECHNIQUES

PUISSANCE ELECTRIQUE	kW 1,05
FREQUENCE	50 - 60 Hz
TYPE CABLE D'ALIMENTATION	H07RNF
Ø EXTERNE CABLE ALIMENTATION	10 ÷ 16 mm
TENSION / SECTION CABLE D'ALIM.	220 - 230 V~ / 3 x 1,5 mm ²
PRESSION EAU	kPa 50-200



ITALIANO

DATI TECNICI

POTENZA	kW 1,05
FREQUENZA	50 - 60 Hz
TIPO DI CAVO ALIMENTAZIONE	H07RNF
Ø ESTERNO CAVO DI ALIMENTAZIONE	10 ÷ 16 mm
TENSIONE / SEZIONE CAVI ALIMENTAZ.	220 - 230 V~ / 3 x 1,5 mm ²
PRESSIONE ACQUA	kPa 50-200

DEUTSCH

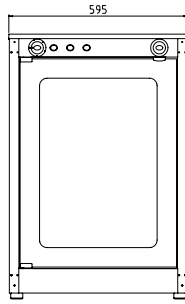
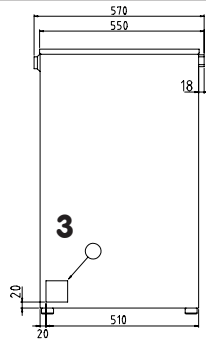
TECHNISCHE DATEN

ELEKTRISCHE LEISTUNG	kW 1,05
FREQUENZ	50 - 60 Hz
VERSORGUNGSKABELTYP	H07RNF
AUSSENDURCHMESSERVERSORGUNGSKABEL	10 ÷ 16 mm
KABELQUERSCHNITT / VERSORGUNGSSPANNUNG	220 - 230 V~ / 3 x 1,5 mm ²
WASSERDRUCK	kPa 50-200

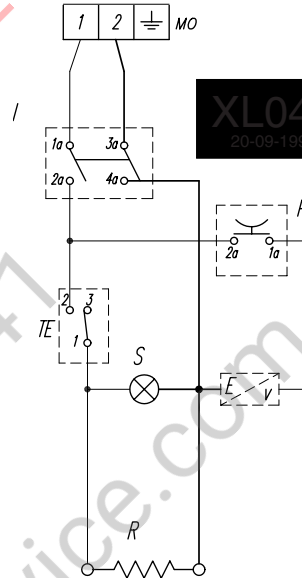
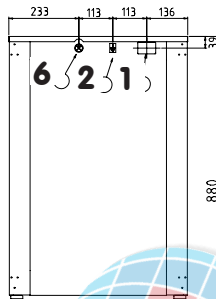
ESPAÑOL

DATOS TECNICOS

POTENCIA	kW 1,05
FRECUENCIA	50 - 60 Hz
TIPO CABLE DE ALIMENTACION	H07RNF
Ø EXTERNO CABLE DE ALIMENTACION	10 ÷ 16 mm
TENSION / SECCION CABLE DE ALIMENT.	220 - 230 V~ / 3 x 1,5 mm ²
PRESION AGUA	kPa 50-200



XL041

**ENGLISH - LEGEND**

DRAWINGS - ELECTRICAL SCHEMAS	
1.	TERMINAL BOARD
2.	EQUIPOTENTIAL TERMINAL SITE
3.	TECNICAL DATA PLATE
4.	HOT SMOKE DISCHARGE
5.	HUMIDITY MICRO-TAP
6.	3/4" THREAD WATER INLET
7.	1/2" PIPE FITTING WATER OUTLET
8.	TANK WATER INLET
CN	ELECTRIC CONDENSER
EV	ELECTRIC VALVE
LM	MOTOR REVERSING SWITCH
LM	INTERIOR LIGHT
MO	TERMINAL BOARD
P	HUMIDITY SWITCH
R	HEATING ELEMENT
RE	ENERGY REGULATOR
S	PILOT LIGHT
SIC	OVERRIDE THERMOSTAT
T	LOGARITHMIC TIMER
TE	THERMOSTAT
TL	CONTACTOR RELE'
V	MOTOR FAN
μP	DOOR MICROSWITCH

FRANCAIS - LEGENDE

PLANS - SCHEMAS ELECTRIQUES	
1.	PLAQUE A BORNES
2.	LOGEMENTE BORNE EQUIPOT..
3.	PLAQUETTE SIGNALETIQUE
4.	SORTIE FUMEEES CHAUDES
5.	MICRO-ROBINET HUMIDITE'
6.	ARRIVE' D'EAU FILET3/4"
7.	SORTIE EAU RACCORD 1/2"
8.	ARRIVE' D'EAU RESERVOIR
CN	CONDENSATEUR
EV	ELECTROVALVE
LM	INVERSEUR DE MARCHÉ
LM	LAMPE TEMOIN INTERIEURE
MO	PLAQUE A BORNES
P	BOUTON HUMIDITE'
R	RESISTANCE
RE	REGULATEUR D'ENERGIE
S	VOYANT
SIC	THERMOSTAT DE SECURITE'
T	MINUTERIE LOGARITHMIQUE
TE	THERMOSTAT
TL	TELERUPTEUR
V	VENTILATEUR
μP	MICRO INTERRUPTEUR DE PORTE

DEUTSCH - SYMBOLE

ZEICHNUNGEN - ELEKTRISCHE SCHEME	
1.	ANSCHLUSSKLEMMEN
2.	SITZ ÄQUIPOTENT.AUSGLEICHKL
3.	TYPENSCHILD
4.	ABZUG HEISSEN RAUCH
5.	MIKROHAHN FEUCHTIGKEIT
6.	WASSERANSCHLUSS 3/4" GEWINDE
7.	WASSERAUSLASS 1/2" GEWINDE
8.	WASSERTANK ANSCHLUSS
CN	KONDENSATOR
EV	ELECTRO VENTIL
LM	UMSTEUERER
LM	OFEN LAMPE
MO	ANSCHLUSSKLEMMEN
P	BESCHWADUNGS-DRUCK-SCHALTER
R	HEIZUNGLEMENTEN
RE	ENERGIE REGLER
S	KONTROLLAMPE
SIC	SICHERHEITS THERMOSTAT
T	LOGARITHMIC TIMER
TE	THERMOSTAT
TL	FERNSCHALTER
V	MOTORVENTILATOR
μP	MICRO TÜR

ITALIANO - LEGENDA

DISEGNI - SCHEMI ELETTRICI	
1.	MORSETTIERA
2.	SEDE MORSETTO EQUIPOTENZ.
3.	TARGHETTA DATI TECNICI
4.	SCARICO FUMI CALDI
5.	MICRORUBINETTO UMIDITA'
6.	INGRESSO ACQUA FILETTO 3/4"
7.	USCITA ACQUA RACCORDO 1/2"
8.	INGRESSO ACQUA DA SERBATOIO
CN	CONDENSATORE
EV	ELETTROVALVOLA
LM	INVERTITORE DI MARCIA
LM	LAMPADA FORNO
MO	MORSETTIERA
P	PULSANTE UMIDITA'
R	RESISTENZA
RE	REGOLATORE DI ENERGIA
S	SPIA
SIC	TERMOSTATO DI SICUREZZA
T	TIMER LOGARITMICO
TE	TERMOSTATO
TL	TELERUTTORE
V	VENTILATORE
μP	MICRO INTERRUPTORE PORTA

ESPAÑOL - LEYENDA

DISEÑOS - ESQUEMAS ELECTRICOS	
1.	CAJA CONEXIONES-REGLETA
2.	SEDE BORNE EQUIPOTENCIAL
3.	TARJETA CARACTERISTICAS TECNICAS
4.	DESCARGA HUMOS CALIENTES
5.	MICROGRIFO HUMEDAD
6.	ENTRADA AGUA ROSCA 3/4"
7.	SALIDA AGUA RACOR 1/2"
8.	ENTRADA AGUA RECIPIENTE
CN	CONDENSADOR
EV	ELECTROVALVULA
LM	INVERSOR DE MARCHA
LM	LAMPARA HORNO
MO	CAJA CONEXIONES-REGLETA
P	BOTON HUMEDAD
R	RESISTENCIA
RE	REGULADOR DE ENERGIA
S	PILOTO ESPIA
SIC	TERMOSTATO DE SEGURIDAD
T	TIMER LOGARITMICO
TE	TERMOSTATO
TL	INTERCAMBIADOR CONTROL REMOTO
V	MOTO-VENTILADOR
μP	MICRO INTERRUPTOR PUERTA